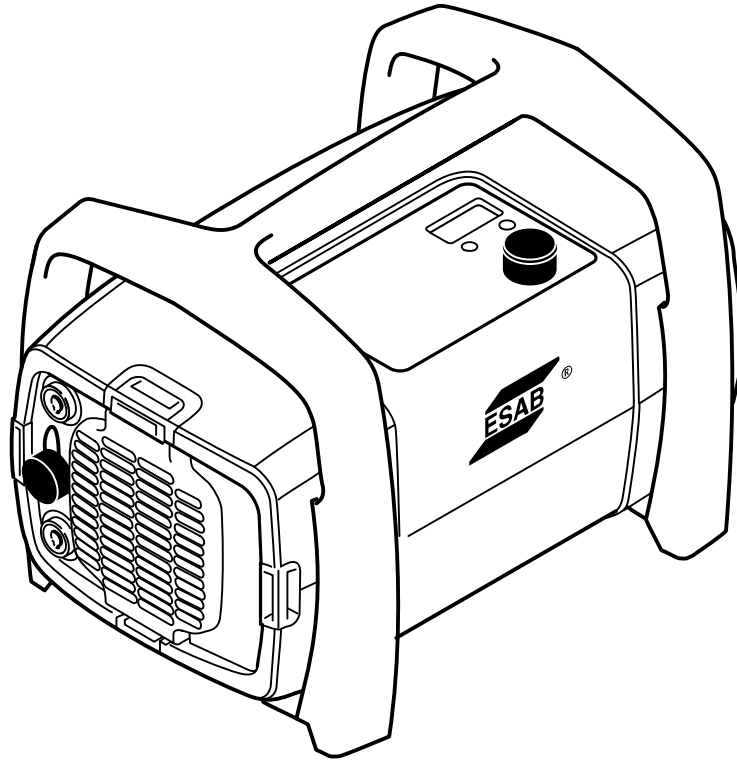


Spare parts list

Edition 20110517



Valid for serial no. 316-xxx-xxxx, 328-xxx-xxxx, 341-xxx-xxxx, 613-xxx-xxxx, 620-xxx-xxxx

The CaddyArc 150 is renamed:

New name	Old name
Caddy™ Arc 150i	CaddyArc 150

Ordering no. Product

0459 199 880	Caddy™ Arc 150i, A34 for 230 V mains voltage
0459 199 886	Caddy™ Arc 150i, A34 for 230 V mains voltage, North American version
0459 199 891	Caddy™ Arc 150i, A34 for 230 V mains voltage, Australian version

Spare parts are to be ordered through the nearest ESAB agency. Kindly indicate type of unit, serial number, denominations and ordering numbers according to the spare parts list.

Maintenance and repair work should be performed by an experienced person, and electrical work only by a trained electrician. Use only recommended spare parts.

Rights reserved to alter specifications without notice.

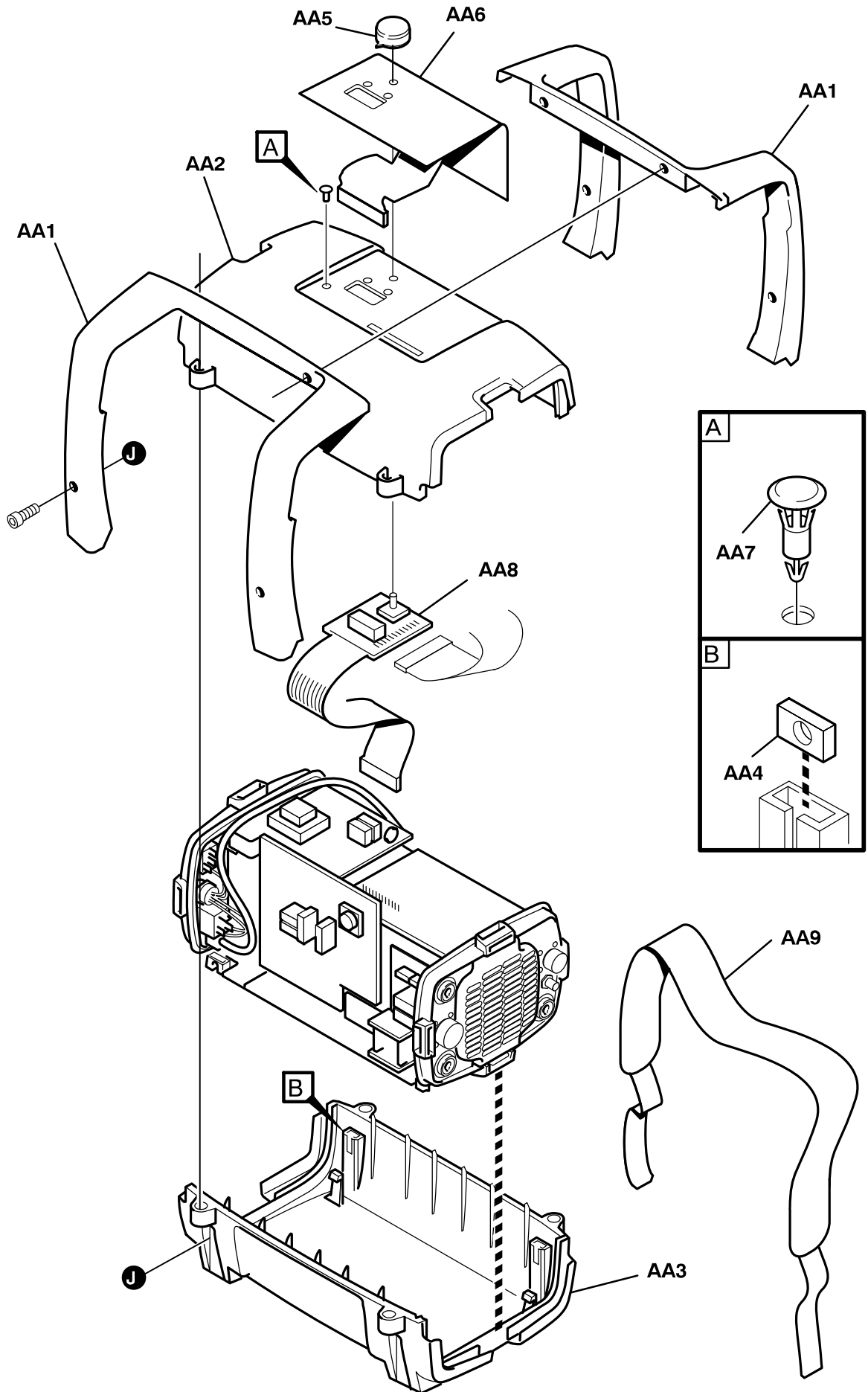
Caddy Arc 150i, CaddyArc 150

C = component designation in the circuit diagram

Item	Qty	Ordering no.	Denomination	Notes	C
AA1	2	0459 175 001	Handle		
AA2	1		Top casing	Included in item AA50	
AA3	1	0459 167 001	Bottom casing		
AA4	8	0366 588 001	Nut		
AA5	1	0321 475 893	Knob	Included in item AA50	
AA6	1		Control Panel	Included in item AA50	1AP1
AA7			Spacer	Included in item AA50	
AA8	1	0487 018 880	Display board	Included in item AA50	1AP2
AA9	1	0459 367 880	Strap	Accessory	

SPARE PARTS SET

Item	Ordering no.	Denomination	Notes
AA50	0459 388 880	Top casing and MMC	Includes items: AA2, AA5, AA6, AA7, AA8



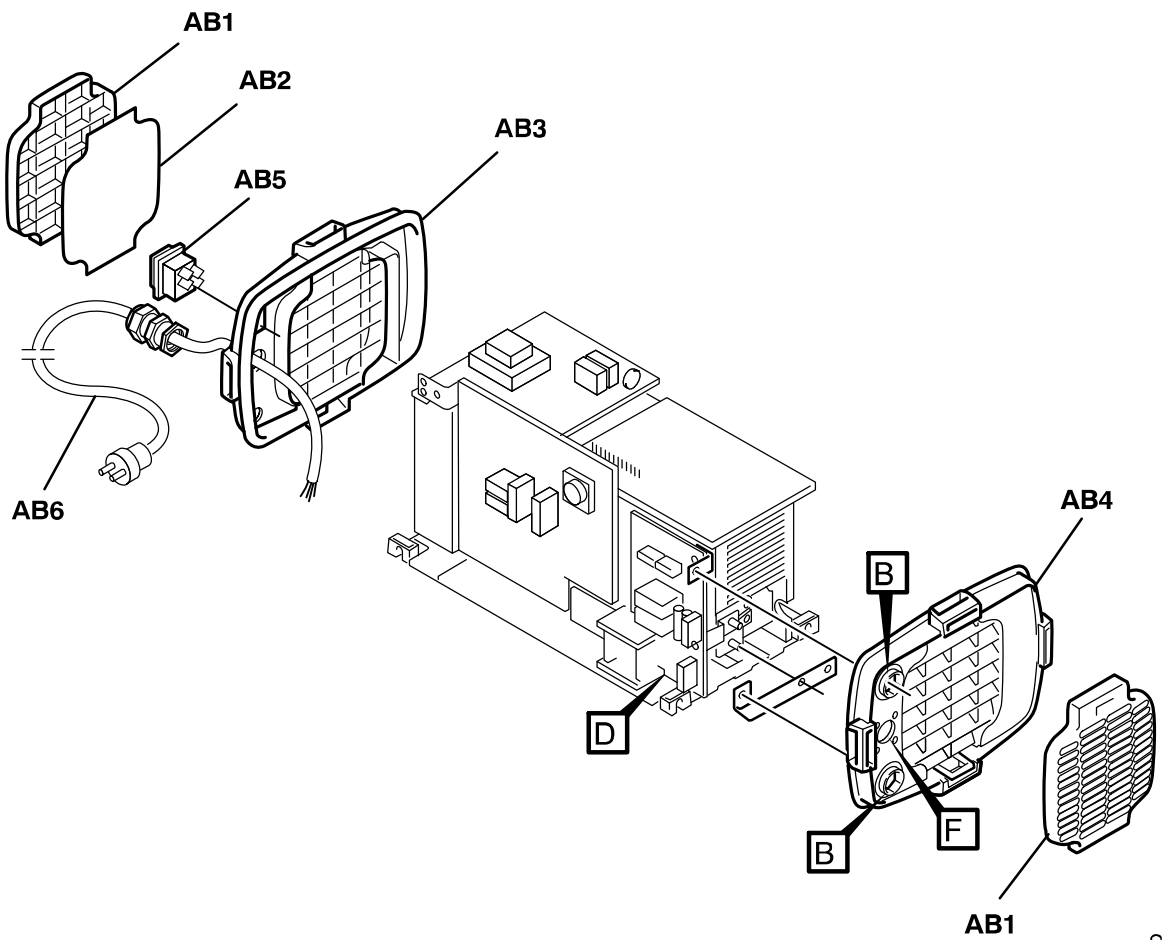
AH 0618

C = component designation in the circuit diagram

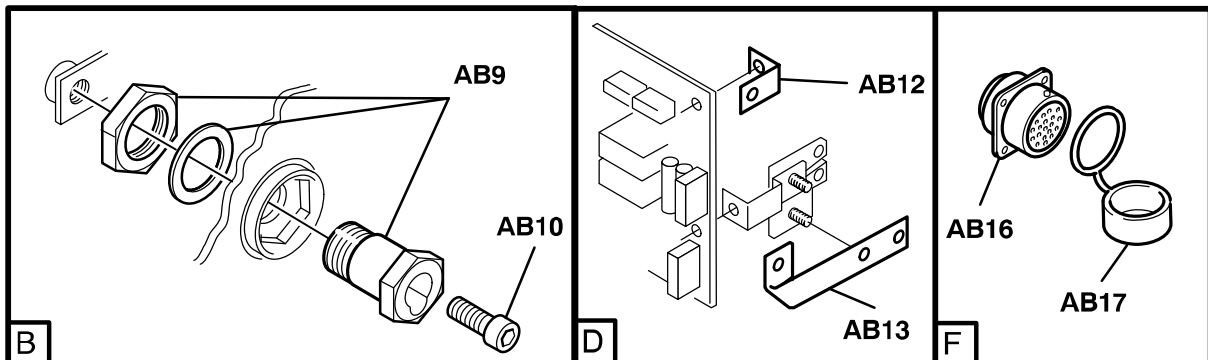
Item	Qty	Ordering no.	Denomination	Notes	C
AB1	2	0459 165 001	Grille	Included in item AB51	
AB2	1	0459 277 001	Filter		
AB3	1	0459 166 001	Panel right		
AB4	1		Panel left	Included in item AB51	
AB5	1	0193 317 001	Switch	Included in item AB50	2QF1
AB6	1		Cord set	Included in item AB50	
AB9	2	0366 306 883	Connector OKC 25		29XS1, 29XS2
AB10	2		Screw	M5x12 Torx	
AB12	1	0459 194 004	Busbar, positive		
AB13	1	0459 194 005	Busbar, negative		
AB16	1		Socket	12 pole, with cable set and socket 29XS7. Included in item AB51	29XS5
AB17	1		Cap	Included in item AB51	

SPARE PARTS SETS

Item	Ordering no.	Denomination	Notes
AB50	0459 183 880	Mains module	Includes items: AB5 switch, AB6 mains cable (3m 3x2.5mm ²) with plug, cable clamp and two ferrite rings 2L1.
	0459 183 882	Mains module	Australian version, includes items: AB5 switch, AB6 mains cable (3m 3x2.5mm ²) with plug, cable clamp and two ferrite rings 2L1.
	0459 183 883	Mains module	North American version, includes items: AB5 switch, AB6 mains cable (3m 3x14 AWG) with plug, cable clamp and two ferrite rings 2L1.
AB51	0459 387 880	Panel left, complete	Include items: AB1, AB4, AB9, AB10, AB16, AB17.



AH0619b

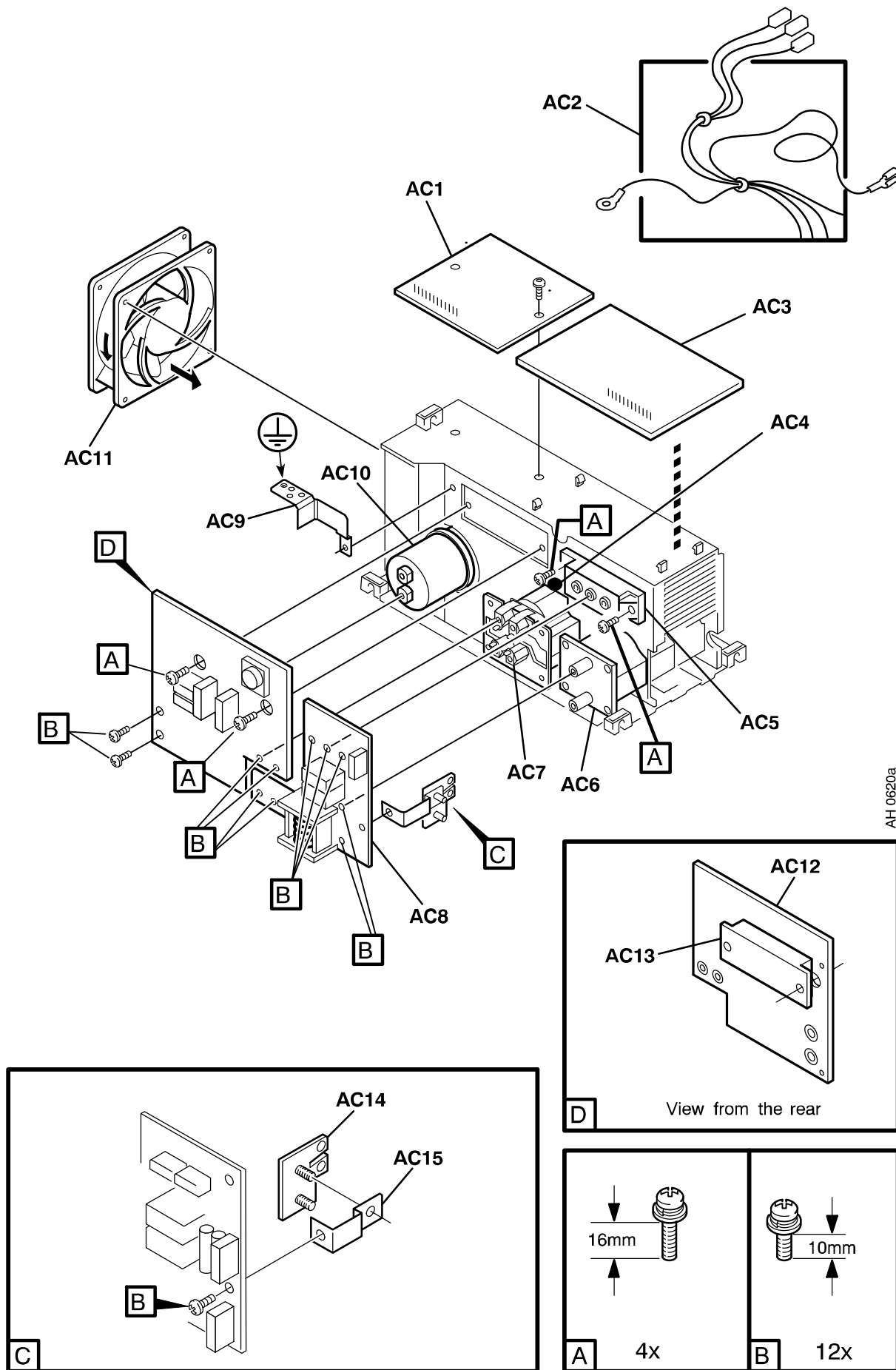


C = component designation in the circuit diagram

Item	Qty	Ordering no.	Denomination	Notes	C
AC1	1	0487 064 880	Power supply board		2AP1
AC2	1	0459 280 880	Cable set	Including wires 1501, 1502 and their sockets	15XS1, 15XS2, 15XS7, 15XS8
	1	0193 700 702	Cable set		20XS3, 20XS4
	1	0459 280 881	Cable set		20XS1, 20XS2, 20XS5
AC3	1	0459 390 881	Control board	The board must be configured. See the service manual.	20AP1
	1	0459 390 882	Control board	Only for the Australian version The board must be configured. See the service manual.	20AP1
AC4	1	0468 940 004	Thermal switch	Socket connector 15XS5 included	15ST2
AC5	1		Diode module	See item AC50	15D1
AC6	1	0459 177 001	Inductor		15L1
AC7	1	0459 355 880	Transformer	Includes: main transformer, socket 15XS4, socket 15XS6, thermal switch 15ST1	15TM1
AC8	1	0487 060 880	Secondary board		15AP2
AC9	1	0459 273 001	Earth bracket		
AC10	1	0194 158 001	Capacitor	1000 uF 400 V DC	15C1
AC11	1	0467 801 002	Fan	24 V DC; With cables and socket 15XS3	15EV1
AC12	1		Circuit board	See item AC51	15AP1
AC13	1		Semiconductor module	See item AC51	
AC14	1	0468 030 880	Shunt		15RS1
AC15	1	0459 194 001	Busbar		

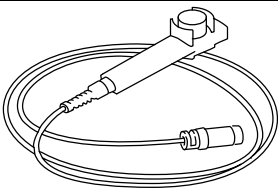
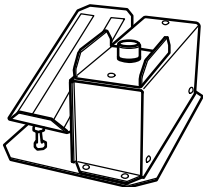


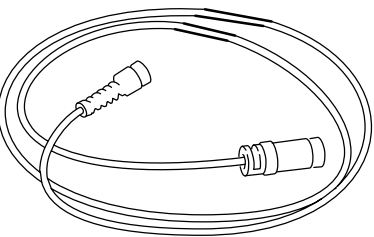

SPARE PARTS SETS

Item	Ordering no.	Denomination	Notes
AC50	0459 385 881	Diode module kit	Includes: item AC5 diode module, screws (type A and B), thermal compound and roller.
AC51	0459 384 880	Power board kit	Includes: item AC12 power board, item AC13 semiconductor module, screws (type A and B), thermal compound and roller.
-	0458 910 002	Roller handle	For the roller in the spare parts sets above
-	0192 058 101	Thermal compound	



AH 0620a

Accessories

	MMA welding and return cable kit 0349 501 078 ("crocodile" type holder)
	MMA welding and return cable kit 0349 501 079 ("screwe" type holder)
	Remote control MMA 1 (10 m cable) 0349 501 024 MMA and TIG: current
	Foot control FS002 0349 090 886 MMA and TIG current
	Remote control unit AT1 0459 491 896 MMA and TIG: current
	Remote control unit AT1 CF 0459 491 897 MMA and TIG: rough and fine setting of current.
	Remote cable 12 pole - 8 pole 5 m 0459 552 880 10 m 0459 552 881 15 m 0459 552 882 25 m 0459 552 883
	Shoulderstrap 0459 367 880

NOTES

A series of 32 horizontal dotted lines spaced evenly down the page for writing notes.

